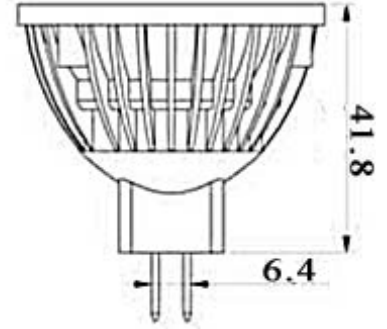
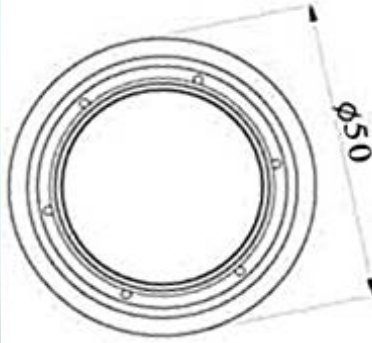




# Energy Bright Limited

High power- MR16 1.5W

P/N: EB-HM6-01-X-A12-00



Dimension(mm)

### Electrical/Optical Characteristics:

Items	Parameter range						Unit
	White	Warm White	Red	Green	Blue	Yellow	
LED Color	White	Warm White	Red	Green	Blue	Yellow	—
LED Tc	5000~7000	2500~3500	—	—	—	—	K
LED Wavelength λd	—	—	620~635	520~530	465~475	585~595	nm
Luminous flux	50~60	40~50	20~30	35~45	20~30	20~30	lm
LED Q'TY	1						pcs
Viewing Angle	15/30						Deg.
Operation Voltage	AC/DC 12						V
Power	1.5						W
Operation Temperature	-20~+45						°C
Warranty	1						year
Life	5						year

Taipei Office: 7F. No.15, Lane 427, Fu Shing N.Rd., Taipei Zip code:105

Tel: +886-2-25460395

Fax: +886-2-87707036

Shenzhen Office: Rm 904, Block East, Coastal City, Hai De 3rdRoad, Nan Shan District,  
ShenZhen City. China

Zip code 518054

Tel: +86-755-83201870

Fax: +86-755-83201877

HK Office: Rm C, 17/FI., Yun Kei Commercial Bldg., 682 Shanghai Street, Kowloon, Hong Kong

Tel: +852-23802800 23803600

Fax: +852-23977766

<http://www.energy-bright.com>

Email: [info@energy-bright.com](mailto:info@energy-bright.com)