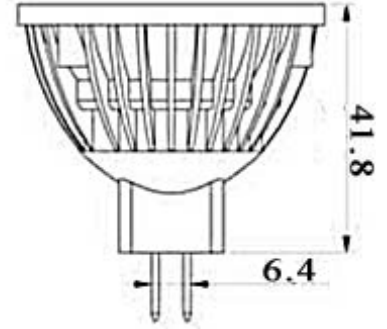
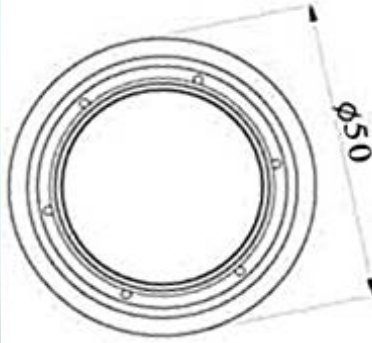
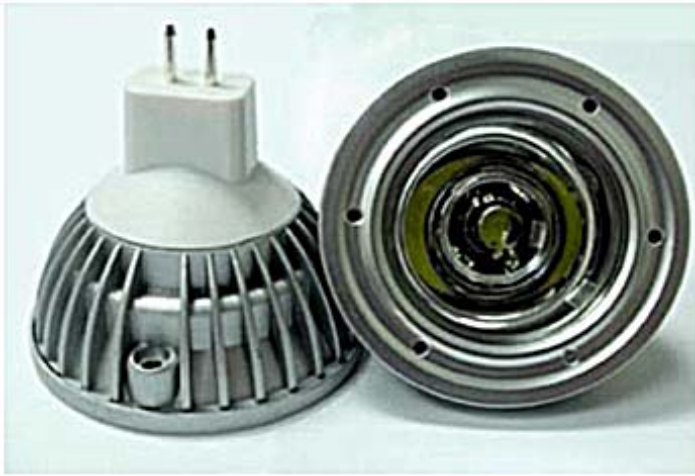




Energy Bright Limited

High power- MR16 3W

P/N: EB-HM6-01-X-A12-31



Dimension(mm)

Electrical/Optical Characteristics:

Items	Parameter range	Unit
LED Color	White	—
LED Tc	5000~7000	K
Luminous flux	90~120	lm
LED Q'TY	1	pcs
Viewing Angle	15/30/50	Deg.
Operation Voltage	AC/DC 12	V
Power	3	W
Operation Temperature	-20~+45	°C
Warranty	1	year
Life	5	year

Taipei Office: 7F. No.15, Lane 427, Fu Shing N.Rd., Taipei Zip code:105

Tel: +886-2-25460395

Fax: +886-2-87707036

Shenzhen Office: Rm 904, Block East, Coastal City, Hai De 3rdRoad, Nan Shan District,
ShenZhen City. China Zip code 518054

Tel: +86-755-83201870

Fax: +86-755-83201877

HK Office: Rm C, 17/FI., Yun Kei Commercial Bldg., 682 Shanghai Street, Kowloon, Hong Kong

Tel: +852-23802800 23803600

Fax: +852-23977766

<http://www.energy-bright.com>

Email: info@energy-bright.com