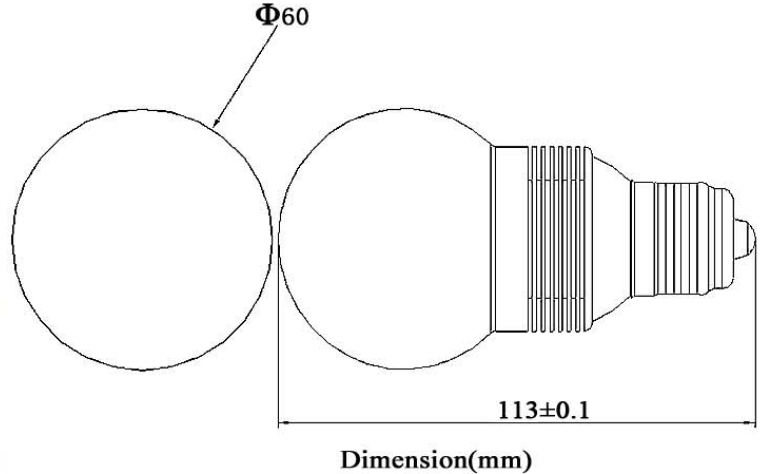




Energy Bright Limited

High power ball bulb (3W with Nichia emitter)

P/N: EB-HB6-01-X-AUN-31NI-II



Electrical/Optical Characteristics:

| Items | Parameter range | | Unit |
|-----------------------|-----------------|------------|--------|
| LED Color | White | Warm White | — |
| LED Tc | 7000~9000 | 2500~3500 | K |
| Luminous flux | 140~180 | 120~150 | lm |
| LED Q'TY | 1 | | pcs |
| Viewing Angle | 120 | | degree |
| Operation Voltage | AC 100~240 | | V |
| Power | 3 | | W |
| Weight | 89 | | g |
| Operation Temperature | -20~+45 | | °C |
| Warranty | 1 | | year |
| Life | 5 | | year |

Taipei Office: 7F. No.15, Lane 427, Fu Shing N.Rd., Taipei Zip code:105

Tel: +886-2-25460395

Fax: +886-2-87707036

Shenzhen Office: Rm 904, Block East, Coastal City, Hai De 3rd Road, Nan Shan District,
ShenZhen City. China Zip code 518054

Tel: +86-755-83201870

Fax: +86-755-83201877

HK Office: Rm C, 17/FI., Yun Kei Commercial Bldg., 682 Shanghai Street, Kowloon, Hong Kong

Tel: +852-23802800 23803600

Fax: +852-23977766

<http://www.energy-bright.com>

Email: info@energy-bright.com