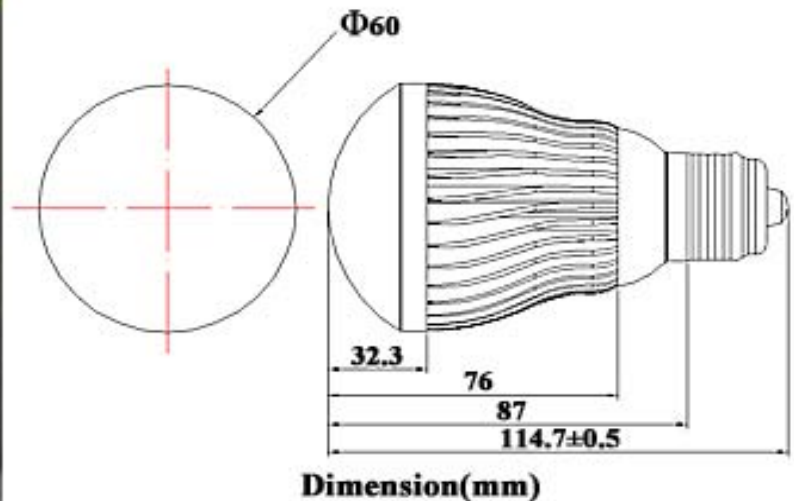




# Energy Bright Limited

High power ball bulb ( 6W with Nichia emitter )

P/N: EB-HB6-03-X-AUN-6WNI



## Electrical/Optical Characteristics:

Items	Parameter range		Unit
LED Color	White	Warm White	—
LED Tc	7000~9000	2500~3500	K
Luminous flux	400~450	300~350	lm
LED Q'TY	3		pcs
Operation Voltage	AC 100~240		V
Power	6		W
Weight	128		g
Operation Temperature	-20~+45		°C
Warranty	1		year
Life	5		year

Taipei Office: 7F. No.15, Lane 427, Fu Shing N.Rd., Taipei Zip code:105

Tel: +886-2-25460395

Fax: +886-2-87707036

Shenzhen Office: Rm 904, Block East, Coastal City, Hai De 3rd Road, Nan Shan District,

Shenzhen City, China

Zip code 518054

Tel: +86-755-83201870

Fax: +86-755-83201877

HK Office: Rm C, 17/FI., Yun Kei Commercial Bldg., 682 Shanghai Street, Kowloon, Hong Kong

Tel: +852-23802800 23803600

Fax: +852-23977766

<http://www.energy-bright.com>

Email: [info@energy-bright.com](mailto:info@energy-bright.com)